

## GARLAND GF36-TTR

### FRONT FIRED TARGET TOP WITH OVEN

Gas Restaurant series Target Top with oven. Two front fired 'Spectro Heat' target hot-tops heated by six 'knuckle' type burners, 73mj total. Flame failure protection on all burners. Stainless steel front, sides and 127mm wide front rail. 152mm legs with adjustable feet.

Porcelain oven interior with ribbed oven bottom and door. "Keep cool" oven door handle. Heavy cast iron "H" 40mJ (natural gas) oven burner controlled by even bake, fast recovery snap action modulating oven thermostat.



#### STANDARD FEATURES

- Stainless steel front and sides
- Removable cast iron ring and lid (2)
- Total flame failure protection
- Stainless steel plate rail
- 40mj cast iron oven 'H' burner
- Piezo spark ignition for top
- 152mm high stainless steel adjustable legs
- 3/4" Gas Connection
- Chrome plated removable, 4-position rack guides with two oven racks
- Two extra heavy cast iron top sections
- Six burners; 73mj total
- Low profile stainless steel backguard
- Large full-size oven with all-porcelain interior
- Piezo spark ignition for oven
- Gas pressure regulator

#### OPTIONAL FEATURES

- Additional oven racks
- Castors

SPECIFICATIONS ARE SUBJECT TO CHANGE WITHOUT NOTICE.

*From the world of Comcater!*

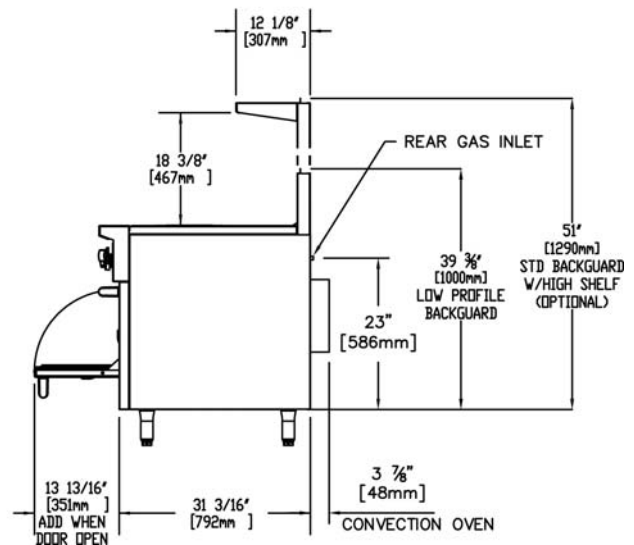
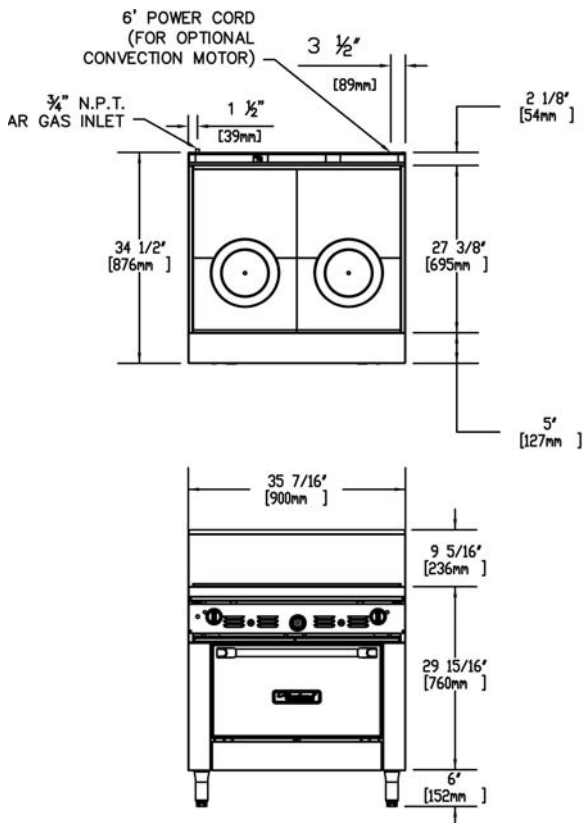
**National Head Office**  
156 Swann Drive  
Derrimut VIC 3030  
Tel: +61 3 8369 4600  
Fax: +61 3 8369 4695

**Melbourne**  
96-100 Tope Street,  
South Melbourne VIC 3205  
Tel: +61 3 8369 4600  
Fax: +61 2 8699 1299

**Sydney**  
20/4 Avenue of the Americas  
Newington, NSW 2127  
Tel: +61 2 9748 3000  
Fax: +61 2 9 648 4762

**Brisbane**  
1/62 Borthwick Avenue  
Murarrie QLD 4172  
Tel: +61 7 3399 3122  
Fax: +61 7 3399 5311

## GARLAND GF36TTR SERIES



### DIMENSIONS

External Dimension: 900W x 876D x 915 mm

Oven Interior : 508W x 660D x 330H mm

### TECHNICAL DATA

Gas Type Natural or LP

Total Energy Rating 113mj

AGA Approval Number 7455

SPECIFICATIONS ARE SUBJECT TO CHANGE WITHOUT NOTICE.