



WAREWASHING
GLASSWASHERS

GCP/GP | GC/GX





BETTER OR BEST – IT'S YOUR CHOICE!



PROFI LINE

The **PROFI** line – everything a professional operator needs. The successful product series from HOBART can be found working wherever the highest standards of cleanliness are required, tailored to the volumes to be washed and the degree of soiling of the ware. It combines efficient warewashing with ultimate user-friendliness and low operating costs. Numerous equipment options make **PROFI** line a perfectly suited warewashing solution to suit any operation.



PREMAX LINE

The **PREMAX** line are the perfect models for operators that need a higher level of proficiency. Because **PREMAX** sets standards in all areas. Minimal operating costs and impressive user-friendliness, combined with maximum performance. The **PREMAX** line is the most economical and innovative line of dishwashers on the market. In addition to the features of **PROFI** models, **PREMAX** wins over users with its unique product characteristics and is the ideal partner for the highest standards in a perfect warewashing operation.

PREMAX LINE EXCLUSIVE

The most exclusive **PREMAX** features are labeled with this writing and a gold background.

WE OFFER YOU THE PERFECT SOLUTION

A clean, sparkling glass is the „business card“ of your establishment and one of the first impressions that a guest will receive. All HOBART glasswashers pass this essential test with flying colours – with no need to polish the glasses by hand. Furthermore, innovative technology offers you greater convenience and economy.

- Only from HOBART: the **PREMAX** GCP dries the glasses in the machine. No hand drying is required
- Only from HOBART: steam-free door opening
- The integrated reverse osmosis system RO-I puts an end to manual polishing
- With HOBART you can choose to take cool glasses directly out of the machine
- With a water consumption of just 1.9 l the HOBART glasswashers are the most economical machines of their kind

With our glasswashers from the **PREMAX** and **PROFI** lines we can offer you the perfect solution for your requirements.

Moreover, we also have water treatment products that are tailored to your machine and the perfect chemicals for optimum and long-lasting wash results and a long service performance for the machine itself.

Our extensive rack programme provides you with the right rack for every glass.



HOBART



PREMAX

HOBART

OUR MODELS



PREMAX GCP

The compact model for sophisticated needs and ease of use. The **PREMAX** GCP is the first glasswasher in the world to deliver dry glasses. With a water consumption of just 1.9 litres it is the most economical glasswasher on the market. No steam escapes when the door is opened. Rack dimensions 400 x 400 mm, compact installation height of 700 mm



PREMAX GP

The premium model with maximum capacity. Ideal for bars and serving counters as no steam escapes when the door is opened. Rack dimensions 500 x 500 mm



PROFI GC

A smaller model for professional use in bars, restaurants and hotels. With a water consumption of just 1.9 litres this is the most economical glasswasher on the market. Rack dimensions 400 x 400 mm, compact installation height of 700 mm



PROFI GXC

The perfect solution for high wash capacity but low installation height under the counter. Rack dimensions 500 x 500 mm, compact installation height of 700 mm



PROFI GX

The large **PROFI** model for bars, restaurants and hotels with high wash capacity. Rack dimensions 500 x 500 mm

See our feature overview for more details.

HIGH LEVEL OF ECONOMY

ACTIVE DRYING

Drying glasses by hand is very time-consuming and labour intensive. Glass breakage and the associated costs as well as the risk of injury occur.

The **PREMAX** GCP is the first commercial glasswasher in the world with integrated ACTIVE drying. Dry, warm air removes the moisture from the glasses and channels it out of the wash chamber.

- No drying by hand is required
- Injuries and additional costs are avoided

SENSO-ACTIVE RESOURCE MANAGEMENT

The entry of dirt into the tank is monitored continuously and water consumption is automatically adapted accordingly. With a low level of soil in the machine, water consumption is low; for a higher level of soil, the machine uses more water.

The advantages are:

- Reliable wash results even with a high level of soil
- Dishwasher compensates for mistakes made by the operating personnel.
- Consistent regeneration of the wash solution with sufficient fresh water
- Complete draining and refilling is not necessary anymore.

2IN1 DOUBLE RACK SYSTEM

Hotels, cafés and bistros with a high turnover of breakfast and coffee tableware can double the capacity of their dishwasher by washing two racks at the same time.

- The top rack accommodates plates with a maximum diameter of 22 cm.
- The bottom rack has room for cups, glasses and small bowls of max. 10 cm height.

The top rack is placed on a pull-out rack carrier.

Thanks to the optimum use of the dishwasher capacity, it is possible to reduce the consumption of water, energy and chemicals by 50 % compared to conventional usage.



BEST WASH RESULT

GENIUS-X² FINE FILTER SYSTEM

The enhanced GENIUS-X² fine filter system cleans dirty water in three steps and keeps the wash solution clean:

- Coarse dirt and food waste are collected in the strainer basket, preventing them from reaching the tank.
- Fine dirt is collected in the separate fine filter and discharged from the machine after only 10 seconds.
- The residual fine dirt is collected during washing. It is drained before rinsing.

The GENIUS-X² fine filter system auto-cleans during pump-out, reducing the detergent consumption by more than 35 %.



WIDE ANGLE NOZZLES

Wash efficiency largely depends on the distribution of the wash water and on avoiding any masked areas. Here, spray angles and the precision of the wash jets are vital factors.

The patented wide angle nozzles provide a substantially broader and more precise spray fan. Compared to conventional systems, the wash water is distributed more efficiently.

- Unsprayed areas are avoided.
- The wash result, especially in the corners, is considerably improved.



OSMOSIS IN DRAWER FORMAT

Minerals in the water leave unattractive stains on drying glasses and cutlery, which need to be polished by hand for perfect results. This process is labour-intensive and also carries hygienic risks.

The optional HYDROLINE PURE RO-I reverse osmosis process removes the minerals that cause this residue and prevents the appearance of water stains.

- Glasses and cutlery leave the machine sparkling clean.
- Manual polishing becomes a thing of the past.

The osmosis unit can be fitted underneath the dishwasher or placed next to it.



HOBART



PREMAX

Start
Pause/Cancel
On/Off

BEST WASH RESULT

SPECIAL PROGRAMMES

As glasswashing has special requirements regarding temperatures and water quantity, individual programmes are necessary.

- **Intensive programme:** Glasses of critical shape are rinsed with an increased quantity of fresh water to remove alkalinity also from the interior glass surface.
- **Cold rinsing:** Cooling of glasses directly after the hot wash cycle. During peak hours in bars or restaurants glasses can be re-used immediately. The drink doesn't get warm and the beer will keep a steady, finely porous foam.
- **Basic cleaning programme:** New glasses often have a protective covering. With the special basic cleaning cycle coverings can be removed before the first use.

Specially designed precision nozzles optimise the water distribution, so that in the **PREMAX** GCP and the **PROFI** GC only 1,9 l of water are used per rack. The consumption of water, detergent and energy can be reduced by up to 35 %.



INTERLOCKED STRAINER

The interlocked strainer permanently checks whether the tank cover strainer and the fine filters are in the proper position:

- This protects the pump from pieces of broken glass or china and from small espresso spoons,
- Retains dirt and ensures optimum results.
- You benefit by a reduction of detergent consumption and operating costs.

If the strainer system is not in the proper position, the control signals an alarm.

The wash cycle can only be activated if the strainer is correctly positioned.





EASY HANDLING

VAPOSTOP

When opening a conventional glass washer or dishwasher, hot steam escapes from the machine.

The VAPOSTOP door system extracts the moisture-saturated air by means of a multi-stage fan, preventing the escape of steam when the door is opened.

- This makes removing the wash ware much easier for the personnel.
- The guests at the bar are not disturbed by escaping steam.
- Wooden bar tops and kitchen cabinets are protected.
- 45 % less steam escapes into the room.

VISIOTRONIC CONTROL

Thanks to the large START button combined with a text and graphics display, the machine is far easier to operate:

- All important information is available at a glance
- Easy selection of programmes
- Easy settings

As soon as the machine recognizes that you need information, the display auto-activates and provides all necessary information.



REMAINING TIME INDICATOR

In support of VISIOTRONIC control, the big start button of the dishwasher indicates the progress of the programme:

- Blue: Programme just started
- Partly green: Rinsing
- Green: Programme finished / machine ready to start
- Red: Error



HYGIENE PROGRAMME

Over time, limescale and dirt particles can build up inside the machine. The patented hygiene programme was developed to eliminate this soil:

- Removes limescale deposits
- Cleans the machine from dirt residues
- Provides a fresh smell

The machine's display shows you when to run the hygiene programme. Simply put a hygiene tab in the machine and start the hygiene programme. The machine will be clean and hygienic in next to no time.



CLIP-IN WASH AND RINSE ARMS

To make machine cleaning even more operator-friendly, both wash and rinse arms can be lifted out of the wash chamber using the CLIP-IN wash system in a single step.

After cleaning, the wash and rinse arms are replaced just as easily with no tools required.

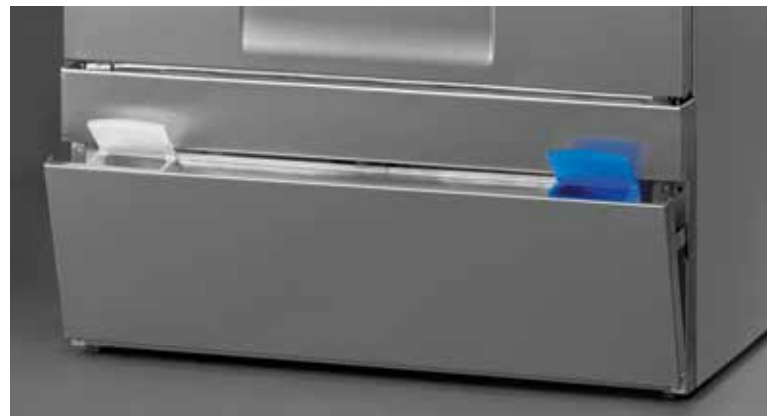


INTEGRATED CHEMICAL CONTAINERS

Large integrated containers for rinse aid and detergent can be installed in the machine. They reduce the refill frequency and free up space near the machine.

The large container openings make it easy to refill the containers without spillage in the course of daily cleaning.

The fill level indicator shows on the display when it is time to refill detergent and rinse aid to ensure optimum wash results.



HOBART



PREMAX



60s Short ↑
90s Standard |
120s Intensive ↓

HOBART

EASY HANDLING

REFILL SIGNAL

The integrated fill level indicator monitors the contents of external as well as integrated chemical canisters.

It indicates well in advance when detergent and rinse aid need refilling. This ensures effective long-term wash results.

SOFT-START WASH PUMP

In bars and bistros glass or dishwashers are often installed under the counter, close to guests. Due to this direct proximity, the machines must be particularly silent.

The SOFT-START wash pump considerably reduces the noise emission at startup of the wash programme.

RELIABILITY & FLEXIBILITY

SMOOTH COUNTERBALANCED DOOR

The flat rack slides on the inner door make rack loading and unloading easy.

Gas-filled shock absorbers give the door a soft and noiseless closing action.

- Protects valuable wash ware in the dishwasher
- Protects the door suspension from wear



MULTI PHASING (230/400 V)

Multi-Phasing gives you flexibility: It allows the operation of the machine either on 230 V or 400 V. According to the local situation, the phasing can be changed at any time by simple plugging.

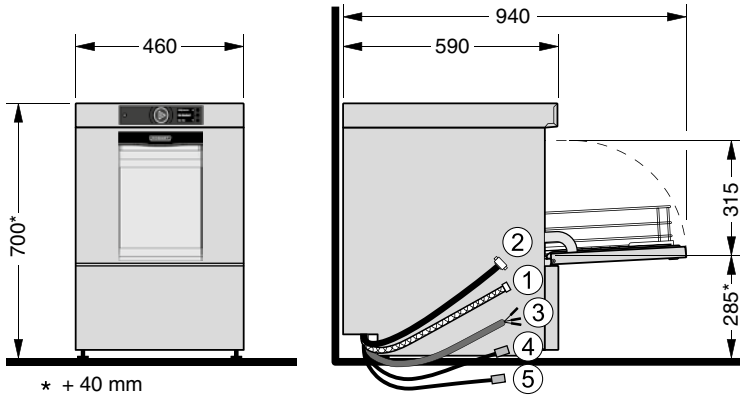
700 MM INSTALLATION HEIGHT

The installation height under bars and counters is often very low. HOBART offers a solution with its **PREMAX** GCP, **PROFI** GC and **PROFI** GXC models: With an installation height of just 700 mm these models fit well into any bar situation.

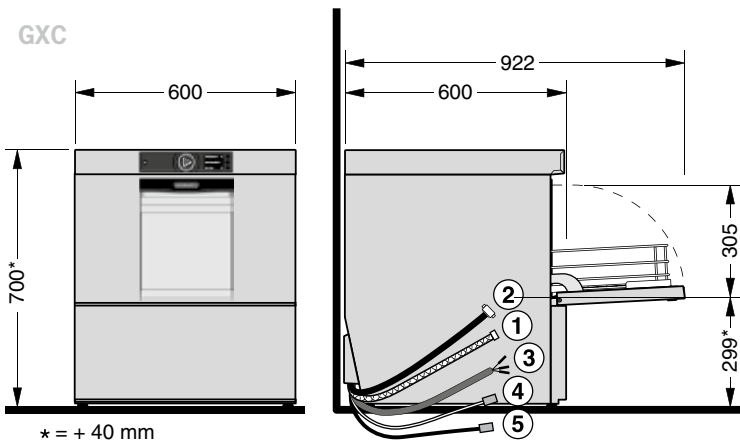


DRAWINGS

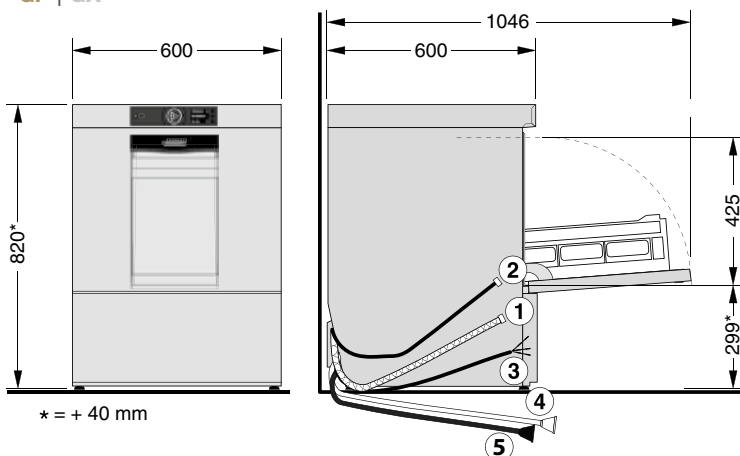
GCP | GC



GXC



GP | GX



① flexible drain hose

② fresh-water connection

③ power cord

④ hose for detergent^{a)}

⑤ hose for rinse aid^{a)}

^{a)} for machines with external containers



FEATURES

MODEL	PROFI LINE			PREMAX LINE	
	GC	GXC	GX	GCP	GP
HIGH LEVEL OF ECONOMY					
ACTIVE drying	–	–	–	● PREMAX LINE EXCLUSIVE	–
SENSO-ACTIVE resource management	–	●	●	–	●
2IN1 double rack system	–	–	○	–	○
BEST WASH RESULT					
Basic cleaning cycle	●	●	●	●	●
Intensive programme	●	●	●	●	●
Cold rinsing*	●	–	●	●	●
GENIUS-X ² fine filter system	●	●	●	●	●
Osmosis in drawer format	○	○	○	○	○
Rinse pump	●	●	●	●	●
Interlocked strainer	●	●	●	●	●
Wide angle nozzle	●	●	●	●	●
EASY HANDLING					
VAPOSTOP	–	–	–	● PREMAX LINE EXCLUSIVE	● PREMAX LINE EXCLUSIVE
VISIOTRONIC control	●	●	●	●	●
Remaining time indicator	●	●	●	●	●
Hygiene programme	●	●	●	●	●
CLIP-IN wash and rins arms	●	●	●	●	●
Integrated water softener	○	○	○	○	○
Refill signal	○	●	●	○	●
SOFT-START wash pump	●	●	●	●	●
RELIABILITY & FLEXIBILITY					
Smooth counterbalanced door	●	●	●	●	●
Drain pump	●	●	●	●	●
Multi-Phasing (230/400 V)	●	●	●	●	●
700 mm installation height	●	●	–	●	–

● Inclusive ○ Optional – Not available
 * not available for GCS-20A, GX-11A and GXS-11A

TECHNICAL DATA

MODEL	PROFI LINE			PREMAX LINE	
	GC	GXC	GX	GCP	GP
CYCLE TIMES*	75 / 120 sec. and special cycles	60 / 90 / 120 sec. and special cycles	60 / 90 / 120 sec. and special cycles	75 / 120 sec. and special cycles	60 / 90 / 120 sec. and special cycles
CAPACITY					
Racks	48 /h	60 /h	60 /h	48 /h	60 /h
Glasses	960 /h	2,160 /h	2,160 /h	1,008 /h	2,160 /h
TANK CAPACITY	8 l	10.6 l	10.6 l	8 l	10.6 l
WATER CONSUMPTION	1.9 l/rack	2 l/rack	2 l/rack	1.9 l/rack	2 l/rack
WASH PUMP	0.6 kW 220 l/min	0.6 kW 350 l/min	0.6 kW 350 l/min	0.6 kW 220 l/min	0.6 kW 350 l/min
Tank heating	0.8 (with cold rinse 2.4) kW	0.8 kW	0.8 (with cold rinse 2.5) kW	0.8 (with cold rinse 2.4) kW	0.8 (with cold rinse 2.5) kW
BOOSTER LOADING					
Standard	4.2 kW	6.2 kW	6.2 kW	4.2 kW	6.2 kW
Alternative	2.8 kW	2.1 kW	2.1 kW	2.8 kW	2.1 kW
TOTAL LOADING					
Standard	5.4 (with cold rinse 4.6) kW 3 x 16A	7.7 kW 3 x 16 A	7.7 (with cold rinse 7) kW 3 x 16 A	4.7 kW 3 x 16A	7.7 (with cold rinse 7) kW 3 x 16 A
Alternative	3.2 kW 16 A	3.6 kW 16 A	3.6 (with cold rinse 3.3) kW 16 A	3.3 kW 3 x 16A	3.6 (with cold rinse 3.3) kW 16 A
Power supply	400 / 50 / 3N (230 / 50 / 1)	400 / 50 / 3N (230 / 50 / 1)	400 / 50 / 3N (230 / 50 / 1)	400 / 50 / 3N (230 / 50 / 1)	400 / 50 / 3N (230 / 50 / 1)
DIMENSIONS					
Width	460 mm	600 mm	600 mm	460 mm	600 mm
Depth	590 mm	600 mm	600 mm	590 mm	600 mm
Height	700 mm	700 mm	820 mm	700 mm	820 mm
Loading height	315 mm	305 mm	425 mm	315 mm	425 mm
Rack size	400 x 400 mm	500 x 500 mm	500 x 500 mm	400 x 400 mm	500 x 500 mm

Multi-Phasing allows the operation of the same machine either on 230 V or 400 V. The change is done by simple plugging on site when installing the machine.

* The machine is equipped with an automatic cycle-time control which ensures hygienic rinse temperatures even on a cold-water supply or with reduced heating performance.

CONCEPT SOLUTIONS FOR OPTIMISED WASHING RESULTS

WATER TREATMENT

The right solution for every water quality: The partial and total desalination cartridges HYDROLINE STAR and STAR EXTRA and the HYDROLINE PURE RO-I and RO-C reverse osmosis systems guarantee spotless wash results with no additional polishing required.

WASHING CHEMICALS

The right detergent for every application – perfectly suited to the individual machine. **The HYLINE hygienic range.**





THE COMPANY

HOBART is the world market leader in commercial warewashing technology and renowned manufacturer of cooking, food preparation and waste technology. Established 1897 in Troy, Ohio, HOBART today employs more than 6,900 employees around the world. At our manufacturing plant in Offenburg, Germany, HOBART develops, produces, and distributes warewashing technology worldwide. All over the world, the hotel and catering trade, cafeterias, bakeries and butcher shops, supermarkets, airlines, cruise ships, automotive suppliers, research centres and pharmaceutical companies swear by our innovative products, which are considered to be economical and ecological market leaders.

OUR FOCUS

INNOVATIVE - ECONOMICAL - ECOLOGICAL

This is our philosophy. To us, innovation means continuously setting new standards in technology, combined with real added value for the customer. An enterpriseowned technological centre and an innovation centre for warewashing technology at our headquarters in Germany make this possible. Highly efficient products are created with bundled innovation, which continuously confirm our status as technological leader. To be economical means to set standards in relation to the lowest operating costs and minimal use of resources, and to revolutionise the market continuously. To be ecological means a responsible handling of resources and a sustainable energy policy. This applies not only to the product in use, but in general to all areas of the organisation, such as purchasing or manufacturing.

WHENEVER THE FIRST
MACHINE WILL BE CAPABLE OF
WASHING WITHOUT WATER –
IT WILL BE A HOBART.

We provide this promise of quality to our customers, and it represents our personal standard upheld by all our staff at HOBART.

OUR VISION - WASH WITHOUT WATER

Intensive market research has shown, that our customers expect warewashing technology that combines efficiency with optimal performance. We hold ourselves to these claims, and they form the foundation for our vision of „washing without water“. This vision is our continuous incentive to walk on new paths in order to constantly reduce the water, energy and chemical consumption. Step by step, we would like to come closer to our goal with innovative excellence, and we already know: Whenever the first machine will be capable of washing without water – it will be a HOBART.


HOBART COMPETENT - FAST - RELIABLE

HOBART service technicians as well as HOBART service partners are the “real” experts. Thanks to intensive training and many years of experience, these technicians have a unique and profound knowledge of the product. Maintenance and repair work is therefore always carried out professionally, fast, and reliably.



**DEUTSCHLAND/ÖSTERREICH****HOBART GMBH**

Robert-Bosch-Straße 17 | 77656 Offenburg
Tel.: +49(0)781.600-0 | Fax: +49(0)781.600-23 19
info@hobart.de | www.hobart.de

 Werkkundendienst 0180.345 62 58
für Österreich 0820.24 05 99

Zentraler Verkauf 0180.300 00 68

SCHWEIZ**GEHRIG GROUP AG**

Bäulerwisenstrasse 1 | 8152 Glattbrugg
Tel.: +41(0)43.211 56-56
Fax: +41(0)43.211 56-99
info@gehriggroup.ch
www.gehriggroup.ch

FRANCE**COMPAGNIE HOBART**

ZI PARIS EST - Allée du 1er Mai - B.P. 68
77312 MARNE LA VALLEE Cedex 2
Téléphone: +33(0)1 64 11 60 00
Fax: +33(0)1 64 11 60 01
contact@hobart.fr
www.hobart.fr

UNITED KINGDOM**HOBART UK**

Southgate Way | Orton Southgate
Peterborough | PE2 6GN
Phone: +44(0)844 888 7777
customer.support@hobartuk.com
www.hobartuk.com

BELGIUM**HOBART FOSTER BELGIUM**

Industriestraat 6 | 1910 Kampenhout
Phone: +32(0)16 60 60 40
Fax: +32(0)16 60 59 88
sales@hobart.be
www.hobart.be

NEDERLAND**HOBART NEDERLAND B.V.**

Pompmolenlaan 12 | 3447GK Woerden
Tel.: +31(0)348.46 26 26
Fax: +31(0)348-43 01 17
info@hobart.nl
www.hobart.nl

NORGE**HOBART NORGE**

Gamle Drammensvei 120 A | 1363 HØVIK
Tel.: +47 67 10 98 00
Fax: +47 67 10 98 01
post@hobart.no
www.hobart.no

SVERIGE**HOBART SCANDINAVIA APS**

Box 2101 | 196 02 Kungsängen
Tel.: +46 8 584 50 920
Fax: +46 8 584 50 929
info@hobart.se
www.hobart.se

DANMARK**HOBART SCANDINAVIA APS**

Håndværkerbyen 27 | 2670 Greve
Tel.: +45 43 90 50 12
Fax: +45 43 90 50 02
post@hobart.dk
www.hobart.dk

AUSTRALIA**HOBART FOOD EQUIPMENT**

Unit 1 / 2 Picken Street | Silverwater NSW | 2128
Tel.: +61(0)2 9714 0200
Fax: +61(0)2 9714 0242
www.hobartfood.com.au

KOREA**HOBART KOREA LLC**

7th Floor | Woosan Bldg | 108 | Bangi-dong
Songpa-gu | Seoul 138-050
Phone: +82(0)2 34 43 69 01
Fax: +82(0)2 34 43 69 05
contact@hobart.co.kr
www.hobart.co.kr

JAPAN**HOBART (JAPAN) K.K.**

Suzunaka Building Omori
6-16-16 Minami-Oi | Shinagawa-ku | Tokyo 140-0013
Phone: +81(0)3 5767 8670
Fax: +81(0)3 5767 8675
info@hobart.co.jp
www.hobart.co.jp

SINGAPORE**HOBART INTERNATIONAL (S) PTE LTD**

158 | Kallang Way | #06-03/05
Singapore 349245
Phone: +65(0)6846 7117
Fax: +65(0)6846 0991
enquiry@hobart.com.sg
www.hobart.com.sg

THAILAND**HOBART (THAILAND)**

889 Thai CC building | 31st Floor | Room no. 311
South Sathorn Rd. | Yannawa | Sathorn
Bangkok 10120
Phone: +66(0)2-675-6279 | Fax: +66(0)2-675-6280
enquiry@hobartthailand.com | www.hobartthailand.com

OTHER COUNTRIES**HOBART GMBH**

Robert-Bosch-Straße 17 | 77656 Offenburg | Germany
Phone: +49(0)781.600-28 20
Fax: +49(0)781.600-28 19
info-export@hobart.de
www.hobart-export.com

Die Angaben in diesem Prospekt beruhen auf dem Stand 08/2016. Technische Änderungen oder Änderungen der Ausführung bleiben vorbehalten.

The details given in this brochure are correct as of 08/2016. We reserve the right to technical or design modifications.

Document non contractuel. Les indications de ce prospectus sont conformes à la mise à jour de 08/2016. Nous nous réservons le droit de modifier les données ou les configurations techniques de nos machines.

