



RB100

ICE STORAGE BIN WITH TROLLEYS

The RB100 is a stainless steel structure with a 108kg capacity polyethylene moulded trolley for transporting ice flakes.

When coupled with an ice flake head, the RB100 generously stores ice to meet peak demand times for a range of applications.

Can be coupled with: VM500/900, TM250/450, G280/510.

**STANDARD FEATURES**

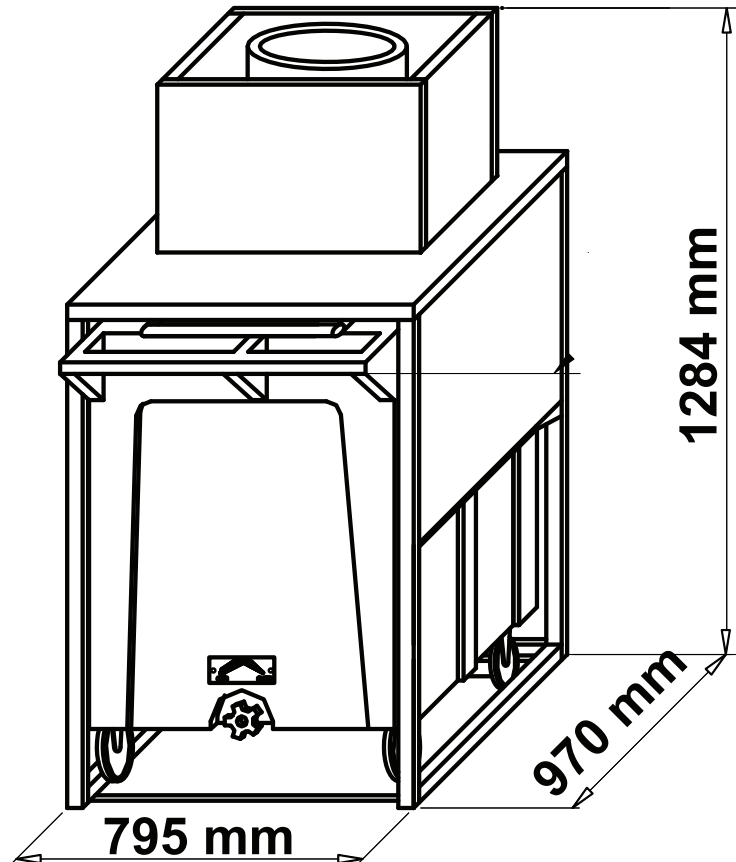
- 108kg storage capacity
- Can be coupled with a range of Brema modular ice machine heads
- Stainless steel structure
- Polyethylene moulded trolleys

**STANDARD ACCESSORIES**

- Drainage hose
- Plastic Ice Scoop

DIMENSIONS	
795W x 1060D x 1284H mm	
Clearances: Rear: 100mm Sides: 100mm	
CONNECTIONS	
24mm Water outlet	
TECHNICAL DATA	
Storage Capacity:	108kg
Weight:	64kg
USABLE WITH MODULAR HEADS	
VM500/900, TM250/450, G280/510	

SPECIFICATIONS ARE SUBJECT TO CHANGE WITHOUT NOTICE.



**National Head Office**  
156 Swann Drive  
Derrimut VIC 3030  
Tel: +61 3 8369 4600  
Fax: +61 3 8369 4695  
[www.comcater.com.au](http://www.comcater.com.au)

**Melbourne**  
96-100 Tope Street  
South Melbourne VIC 3205  
Tel: +61 3 8369 4600  
Fax: +61 3 8699 1299

**Sydney**  
20/4 Avenue of the Americas  
Newington, NSW 2127  
Tel: +61 2 9748 3000  
Fax: +61 2 9648 4762

**Brisbane**  
1/62 Borthwick Avenue  
Murarrie QLD 4172  
Tel: +61 7 3399 3122  
Fax: +61 7 3399 5311

**Perth**  
Unit 16, 7 Abrams Street  
Balcatta, WA 6021  
Tel: +61 8 6217 0700  
Fax: +61 8 6217 0799

*from the world of Comcater!*